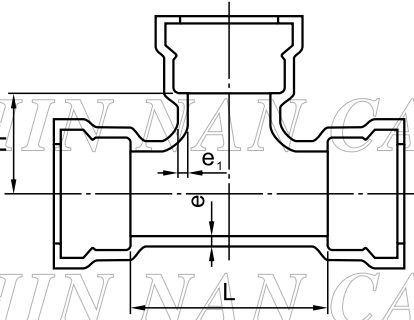




Tyton Tees

SHIN NAN CASTING FACTORY CO., LTD.

Unit : mm



Nominal size		e	e <sub>1</sub>	L	H	Mass (Kg)
Body DN	Branch dn					
80	80	7.0	7.0	170	85	12.4
100	80	7.2	7.0	170	95	14.8
	100	7.2	7.2	190	95	16.1
150	80	7.8	7.0	170	120	21.5
	100	7.8	7.2	195	120	23.5
	150	7.8	7.8	255	125	28.0
200	80	8.4	7.0	175	145	30.0
	100	8.4	7.2	200	145	32.0
	150	8.4	7.8	255	150	37.0
	200	8.4	8.4	315	155	43.0
250	80	9.0	7.0	180	170	39.8
	100	9.0	7.2	200	170	41.5
	150	9.0	7.8	260	175	46.8
	200	9.0	8.4	315	180	52.2
	250	9.0	9.0	375	190	58.5
300	80	9.6	7.0	180	195	50.7
	100	9.6	7.2	205	195	53.0
	150	9.6	7.8	260	200	58.7
	200	9.6	8.4	320	205	65.0
	250	9.6	9.0	375	210	71.5
	300	9.6	9.6	435	220	78.9
350	80	10.2	7.0	185	220	63.6
	100	10.2	7.2	205	220	65.8
	150	10.2	7.8	265	225	72.6
	200	10.2	8.4	325	230	79.6
	250	10.2	9.0	380	235	86.9
	300	10.2	9.6	440	240	94.8
	350	10.2	10.2	495	250	103.2
400	80	10.8	7.0	185	245	77.4
	100	10.8	7.2	210	245	80.3
	150	10.8	7.8	270	250	87.9
	200	10.8	8.4	325	255	95.4
	250	10.8	9.0	385	265	108.3
	300	10.8	9.6	440	270	112.4
	350	10.8	10.2	500	275	121.6
	400	10.8	10.8	560	280	177.4
450	80	11.4	7.0	190	270	92.4
	100	11.4	7.2	215	270	95.7
	150	11.4	7.8	270	275	103.7
	200	11.4	8.4	330	280	112.5
	250	11.4	9.0	385	290	121.6
	300	11.4	9.6	445	295	131.2
	350	11.4	10.2	505	300	141.4
	400	11.4	10.8	560	305	161.9
	450	11.4	11.4	620	310	197.6
500	80	12.0	7.0	195	295	111.3
	100	12.0	7.2	215	295	114.4
	150	12.0	7.8	275	300	123.9
	200	12.0	8.4	330	305	133.1
	250	12.0	9.0	390	315	143.6
	300	12.0	9.6	450	320	154.2
	350	12.0	10.2	505	325	164.8
	400	12.0	10.8	565	330	187.2
	450	12.0	11.4	620	335	200.0
	500	12.0	12.0	680	340	222.4

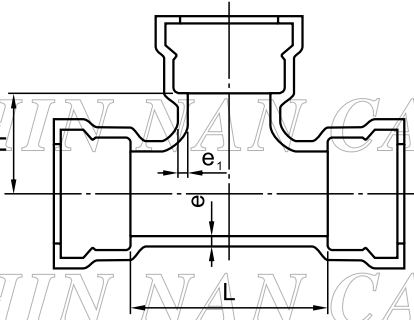
SHIN NAN CASTING FACTORY CO., LTD.



Tyton Tees

SHIN NAN CASTING FACTORY CO., LTD.

Unit : mm



Nominal size		e	e <sub>1</sub>	L	H	Mass (Kg)
Body DN	Branch dn					
600	80	13.2	7.0	200	345	152.0
	100	13.2	7.2	220	345	155.9
	150	13.2	7.8	280	350	167.5
	200	13.2	8.4	340	355	179.4
	250	13.2	9.0	395	365	191.3
	300	13.2	9.6	455	370	204.0
	350	13.2	10.2	510	375	216.6
	400	13.2	10.8	570	380	243.7
	450	13.2	11.4	630	385	258.0
	500	13.2	12.0	685	390	276.3
700	600	13.2	13.2	800	400	287.6
	150	14.4	7.8	285	400	219.3
	200	14.4	8.4	345	405	233.6
	250	14.4	9.0	400	415	247.7
	300	14.4	9.6	460	420	262.8
	350	14.4	10.2	520	425	278.5
	400	14.4	10.8	575	430	309.5
	450	14.4	11.4	635	435	326.0
800	500	14.4	12.0	690	440	339.7
	600	14.4	13.2	810	450	361.1
	700	14.4	14.4	925	460	397.2
	150	15.6	7.8	290	450	280.2
	200	15.6	8.4	350	455	297.2
	250	15.6	9.0	410	465	314.9
	300	15.6	9.6	465	470	331.6
	350	15.6	10.2	525	475	350.0
	400	15.6	10.8	580	480	386.1
	450	15.6	11.4	640	485	406.2
900	500	15.6	12.0	700	490	413.6
	600	15.6	13.2	815	500	445.5
	700	15.6	14.4	930	510	486.7
	800	15.6	15.6	1045	525	531.0
	150	16.8	7.8	300	500	351.9
	200	16.8	8.4	355	505	370.4
	250	16.8	9.0	415	515	391.1
	300	16.8	9.6	470	520	410.5
	350	16.8	10.2	530	525	431.7
	400	16.8	10.8	590	530	473.5
	450	16.8	11.4	645	535	496.5
	500	16.8	12.0	705	540	499.5
	600	16.8	13.2	820	550	541.4
	700	16.8	14.4	935	560	588.2
	800	16.8	15.6	1050	575	638.1
	900	16.8	16.8	1170	585	690.5

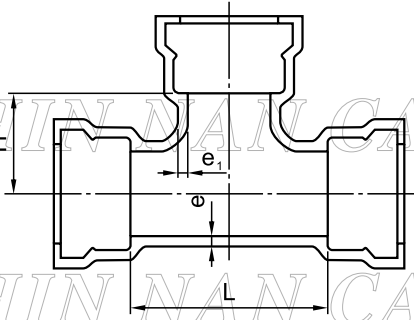
SHIN NAN CASTING FACTORY CO., LTD.



Tyton Tees

SHIN NAN CASTING FACTORY CO., LTD.

Unit : mm



Nominal size		e	e <sub>1</sub>	L	H	Mass (Kg)
Body DN	Branch dn					
1000	150	18.0	7.8	305	550	432.5
	200	18.0	8.4	360	555	453.9
	250	18.0	9.0	420	565	477.8
	300	18.0	9.6	480	570	501.8
	350	18.0	10.2	535	575	524.6
	400	18.0	10.8	595	580	572.5
	450	18.0	11.4	650	585	595.5
	500	18.0	12.0	710	590	598.7
	600	18.0	13.2	825	600	649.7
	700	18.0	14.4	940	610	702.6
1100	800	18.0	15.6	1060	625	760.3
	900	18.0	16.8	1175	635	817.4
	1000	18.0	18.0	1290	645	876.6
	150	19.2	7.8	310	600	520.5
	200	19.2	8.4	370	605	547.1
	250	19.2	9.0	425	615	572.4
	300	19.2	9.6	485	620	599.9
	350	19.2	10.2	540	625	625.9
	400	19.2	10.8	600	630	682.5
	450	19.2	11.4	660	635	700.4
1200	500	19.2	12.0	715	640	710.1
	600	19.2	13.2	830	650	767.8
	700	19.2	14.4	950	660	829.3
	800	19.2	15.6	1065	675	892.0
	900	19.2	16.8	1180	685	955.7
	1000	19.2	18.0	1295	695	1021.5
	1100	19.2	19.2	1410	705	1087.7
	150	20.4	7.8	315	650	626.7
	200	20.4	8.4	375	655	657.1
	250	20.4	9.0	430	665	685.9
300	20.4	9.6	490	670	717.1	
350	20.4	10.2	550	675	748.8	
400	20.4	10.8	605	680	810.5	
450	20.4	11.4	665	685	824.7	
500	20.4	12.0	720	690	841.6	
600	20.4	13.2	840	700	908.8	
700	20.4	14.4	955	710	975.4	
800	20.4	15.6	1070	725	1045.2	
900	20.4	16.8	1185	735	1116.1	
1000	20.4	18.0	1300	745	1189.0	
1100	20.4	19.2	1420	750	1262.5	
1200	20.4	20.4	1535	765	1343.6	

SHIN NAN CASTING FACTORY CO., LTD.